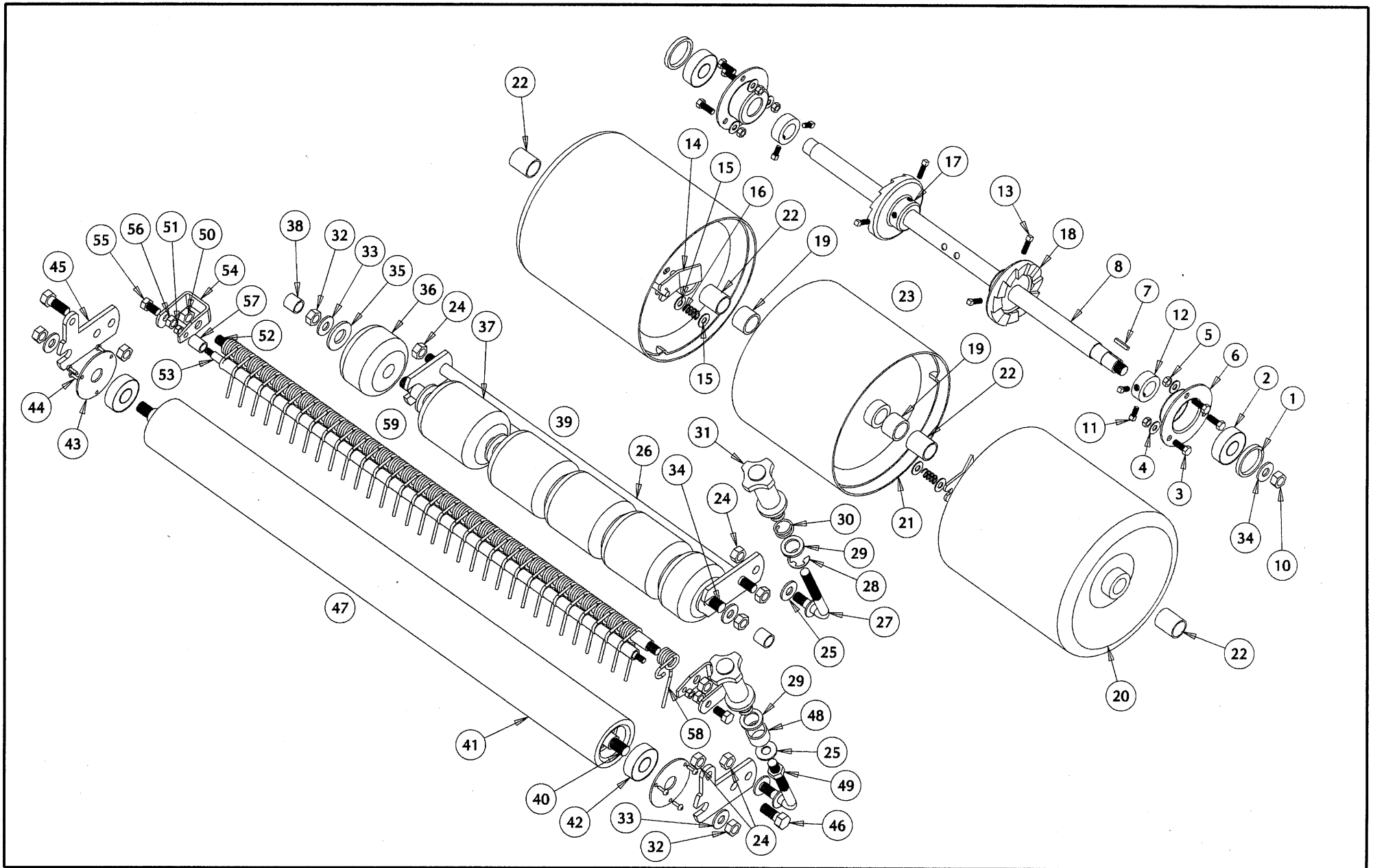




MODEL:TWIN DRIVE REEL MOWER (ALL MODELS) - FRAME ASSEMBLY

v2 Oct 04

ITEM	DESCRIPTION	PART No	ITEM	DESCRIPTION	PART No	ITEM	DESCRIPTION	PART No
1	Bolt ZP M8 x 20 set screw	FBOPL02	25	Bolt HT ZP M8 x 35 set screw	FBOPL35	33	Catcher 400 Orange	L1465-242
2	Washer spring ZP M8	FWAPL58	26	Frame - 400 Orange	L1405-710O	33	Catcher 400 Black	L1465-260
3	Nut ZP M8	FNUPL08	26	Frame - 400 Silver	L1405-710S	33	Catcher 500 Orange	L1565-242
4	Handle Lower 400	L1450-150	26	Frame - 400 Red	L1405-710R	33	Catcher 500 Black	L1565-250
4	Handle Lower 500 Chrome	L1550-150	26	Frame - 500 Orange	L1505-710O	33	Catcher 660 Orange	L1665-200O
4	Handle Lower 660	L1650-150	26	Frame - 500 Silver	L1505-710S	33	Catcher 660 Black	L1665-200S
5	Lever Clutch Reel	L1050-720B	26	Frame - 500 Red	L1505-710R	34	Boss Safety Catch Pivot	L1050-712z
6	Handle Upper	L1050-705C	26	Frame - 660 Orange	L1605-710O	35	Lever lock Spring	L1050-709
7	Lever Clutch Reel Lower Blk	L1050-730B	26	Frame - 660 Silver	L1605-710S	36	Lever Lock Spacer	L1050-707
8	Screw Taptite M5 x 10	L0108-027	26	Frame - 660 Red	L1605-710R	37	Lever Lock	L1050-706
9	Washer Plastic 10 x 20 x 1 Wide	L1050-715	26	Frame - Sport Orange	L1105-710O	38	Spacer Pivot Lever	L1050-717z
10	Boss Lever Pivot	L1050-710Z	26	Frame - Sport Silver	L1105-710S			
11	Cable Clutch Assy	L1050-700	26	Frame - Golf Orange	L1705-710O			
12	Nut Nyloc ZP M5	FNLPL05	26	Frame - Golf Silver	L1705-710S			
13	Throttle Control	L1050-090	27	Decal Caution	L1070-230			
14	Screw MC ZP pan head M5 x 40	FSCPL05	28	Guard Chain Orange	L1010-705O			
15	Throttle Control Cover	L1050-095	28	Guard Chain Silver	L1010-705S			
16	Cover Shaft 400 Orange	L1410-700O	28	Guard Chain - 400/500/660 Red	L1010-705R			
16	Cover Shaft 400 Silver	L1410-700S	29	Screw Taptite M6 x 16	L0108-030			
16	Cover Shaft 400 Red	L1410-700R	30	Decal Model 400 Lawnmaster	L1470-145			
16	Cover Shaft Orange 500/660	L1510-700O	30	Decal Model 400 Trenchex Catcher	L1470-147			
16	Cover Shaft Silver 500/660	L1510-700S	30	Decal Model 500 Lawnmaster	L1570-145			
16	Cover Shaft 500/660 Red	L1510-700R	30	Decal Model 500 Trenchex Catcher	L1570-147			
17	Decal Model 400 Lawnmaster	L1470-145	30	Decal Model 660 Lawnmaster	L1670-145			
17	Decal Model 400 Trenchex	L1470-146	30	Decal Model 660 Trenchex Catcher	L1670-147			
17	Decal Model 500 Lawnmaster	L1570-145	31	Grass Thrower Tab	L1010-190			
17	Decal Model 500 Trenchex	L1570-146	32	Grass Thrower 400 Orange	L1410-210			
17	Decal Model 660 Lawnmaster	L1670-145	32	Grass Thrower 400 Silver	L1410-215			
17	Decal Model 660 Trenchex	L1670-146	32	Grass Thrower 400 Red	L1410-195R			
18	Screw ZP PHD SLT 6 x 3/8	FSCPL08	32	Grass Thrower 500 Orange	L1510-210			
19	Bolt ZP M6 x 12 set screw	FBOPL03	32	Grass Thrower 500 Silver	L1510-215			
20	Washer Spring M6	FWAPL56	32	Grass Thrower 500 Red	L1510-195R			
21	Nut M6	FNUPL06	32	Grass Thrower 660 Orange	L1610-210			
22	Bolt HT ZP M8 x 16 Set Screw	FBOPL18	32	Grass Thrower 660 Silver	L1610-215			
23	Decal Razor Cut System	L1070-234	32	Grass Thrower 660 Red	L1610-195R			
24	Washer Flat ZP M8 x 19 x 1.6	FWAPL08						

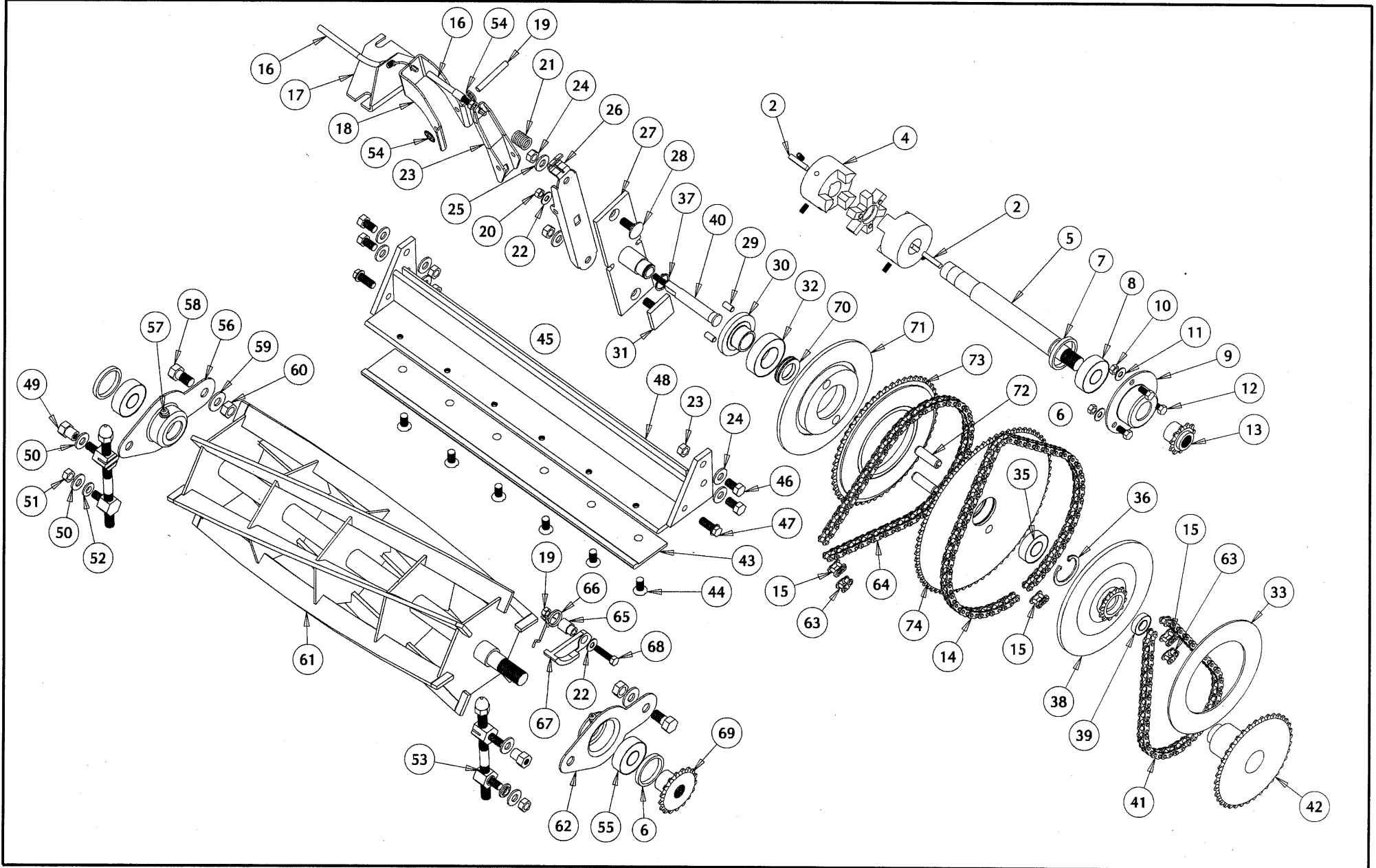




MODEL:TWIN DRIVE REEL MOWER (ALL MODELS) - ROLLER ASSEMBLY

v2 Oct 04

ITEM	DESCRIPTION	PART No	ITEM	DESCRIPTION	PART No	ITEM	DESCRIPTION	PART No
1	Spacer - Bearing Plastic	L1060-120	24	Nut Nyloc M10	FNLPL10	47	Front Roller Assy Steel Golf	L1745-350
2	Bearing - 17 x 40 x 12 350/400/500	FBRL080	25	Washer Flat M10	FWAPL10	48	Handwheel Spacer ZP	L1745-215
2	Bearing - 17 x 40 x 12 660 Sport/Golf	FBRL070	26	Front Roller Brkt Assy 400 ZP	L1445-300	49	Nut ZP M10	FNUPL10
3	Bolt - HT M6 x 16	FBOPL01	26	Front Roller Brkt Assy 500 ZP	L1545-300	50	Nut Nyloc Thin 3/8 UNF	L0111-046
4	Washer - Spring M6	FWAPL56	26	Front Roller Brkt Assy 660 ZP	L1645-300	51	Nut Nyloc ZP M6	FNLPL06
5	Nut M6	FNUPL06	27	Reel Adjustor Pivot Bolt	L1035-230	52	Turf Rake Shaft 1/2 660	L1145-130
6	Bearing Housing	L1060-145	28	E Clip 5/8	L0135-025	52	Turf Rake Shaft 1/2 Golf	L1745-130
7	Back Roller Drive Key 1/8 x 3/4	L1030-170	29	Washer Flat M16 x 25	L0115-016	53	Turf Rake Shaft 5/16 660	L1145-140
8	Back Roller Shaft 400	L1430-350	30	Front Roller Adj Spring	L1045-220	53	Turf Rake Shaft 5/16 Golf	L1745-140
8	Back Roller Shaft 500/Golf	L1530-350	31	Handwheel Front Roller Adjustor	L1045-240	54	Turf Rake Brkt	L1745-105
8	Back Roller Shaft 660/Sport	L1630-350	32	Nut Nyloc M12	FNLPL12	55	Bolt HT ZP M8 x 16 Set Screw	FBOPL18
9			33	Washer Flat ZP M12	FWAPL12	56	Nut Nyloc ZP M8	FNLPL08
10	Nut ZP Half M12	L0110-013	34	Front Roller Shaft 400 ZP	L1445-395	57	Turf Rake Spacer	L1745-115
11	Screw Sqhd Cup Point 5/16 x 3/8	L0107-040	34	Front Roller Shaft 500 ZP	L1545-395	58	Turf Rake Tyne	L1745-120
12	Back Roller Locking Collar	L1030-230	34	Front Roller Shaft 660 ZP	L1645-395	59	Turf Rake Assy 660	L1145-150
13	Screw Sqhd Cup Point 5/16 x 5/8	L0107-041	35	Washer Flat ZP M16 x 34 x 3.0	L0115-056	59	Turf Rake Assy Golf	L1745-150
14	Back Roller Pawl	L1030-290	36	Wooden Roller 45mm	L1045-385			
15	Washer Flat ZP 1/4	L0115-040	37	Wooden Roller 82mm	L1045-390			
16	Back Roller Pawl Spring	L1030-270	38	Front Roller Spacer 500	L1545-350			
17	Back Roller Ratchet RH	L1030-250	39	Front Roller Assy 400	L1445-400			
18	Back Roller Ratchet LH	L1030-245	39	Front Roller Assy 500	L1545-400			
19	Back Roller Spacing Tube 660	L1630-200	39	Front Roller Assy Compl 660	L1645-400			
20	Back Roller Drum 400	L1430-330	40	Front Roller Shaft 660	L1145-340			
20	Back Roller Drum Golf	L1730-330	40	Front Roller Shaft Golf	L1745-340			
20	Back Roller Drum Assy 500/600	L1530-330	41	Front Roller Steel Tube 660	L1145-345			
21	Back Roller Centre Drum 660	L1630-305	41	Front Roller Steel Tube Golf	L1745-345			
22	Sintered Bush Golf	L1730-190	42	Bearing 6203-ZZ	FBRL080			
23	Back Roller Assy 400	L1430-450	43	End Cap	L1745-335			
23	Back Roller Assy 500	L1530-450	44	Screw ZP PHD SLT 6 x 3/8	FSCPL08			
23	Back Roller Assy 660	L1630-450	45	Front Roller Brkt	L1745-200			
23	Back Roller Assy Golf	L1730-400	46	Bolt Eng ZP M10 x 25	FBOPL85			
			47	Front Roller Assy Steel 660	L1145-350			





MODEL:TWIN DRIVE REEL MOWER (ALL MODELS) - DRIVE SYSTEM

v2 Oct 04

ITEM	DESCRIPTION	PART No	ITEM	DESCRIPTION	PART No	ITEM	DESCRIPTION	PART No
1	Engine-Tecumseh	L0200-110	28	Bolt Cup HD ZP M8 x 20	FBOPL21	54	M6 Starlock push on fix	L0135-015
1	Engine-Briggs & Stratton	L0200-120	29	Pin Clutch Thrust	L1020-726	55	Bearing 6203-Z	FBRL070
2	Key 3/16 x 1	L1015-385	30	Block Clutch Thrust	L1020-725	56	Reel Housing RH PTD	L1035-215
3			31	Plate Clamp Clutch	L1020-765	57	Grease Nipple 1/4 SAE Straight	L1060-110
4	Coupling Inline 3/4" x 3/4"	L1015-700	32	Bearing - 25x47x12 wide	FBRL130	58	Reel Adj Pivot Bolt	L1035-230
4	Coupling Inline 5/8" x 3/4"	L1015-705	33	Lining Clutch 2mm	L1020-760	59	Reel Brg Housing Washer 3/8	L1035-200
5	Bar Drive 400 3/4"	L1415-700B	34			60	Nut Nyloc 3/8 UNF	FNLPL45
5	Bar Drive 400 5/8"	L1415-710B	35	Bearing 17x35x10 6003-ZZ/2RS	FBRL120	61	Reel Complete 400	L1435-400
5	Bar Drive 500/660 3/4"	L1515-700B	36	Circlip Internal 035	L0135-064	61	Reel Compl 500	L1535-400
5	Bar Drive 500/660 5/8"	L1515-710B	37	Circlip External 017	L0135-063	61	Reel Compl 660	L1635-400
6	Bar drive Assembly 400 3/4"	L1415-705	38	Plate Clutch Roller W/A	L1020-730	61	Reel Compl Golf	L1735-400
6	Bar drive Assembly 400 5/8"	L1415-715	39	Bearing12x24x6 61901-2RS1	FBRL110	61	Reel Compl Sport	L1135-400
6	Bar drive Assembly 500/660 3/4"	L1515-705	40	Bar Clutch Control	L1020-715	62	Reel Bearing Housing LH	L1035-205
6	Bar drive Assembly 500/660 5/8"	L1515-715	41	Chain 3/8 35-1 53P Endless	L1025-716	63	Chain Half Link 3/8	L1025-480
7	Bearing Spacer Plastic	L1060-120	42	Sprocket Roller 39 T	L1020-753	64	Chain 3/8 35-1 67P Endless	L1025-720
8	Bearing 6203-2RS	FBRL080	43	Bottom Blade 400	L1440-300	65	Boss - Chain Tension	L1025-700
9	Bearing Housing	L1060-145	43	Bottom Blade 500	L1540-300	66	Spring - Torsion Reel	L1025-705
10	Nut M6	FNUPL06	43	Bottom Blade 660	L1640-300	67	Shoe - Chain Tension	L1025-710
11	Washer Spring M6	FWAPL56	43	Bottom Blade Golf	L1740-295	68	Bolt HT M6 x 30	FBOPL09
12	Bolt HT M6 x 16	FBOPL01	43	Bottom Blade 660C	L1640-295	69	Sprocket Reel 17 Teeth	L1020-755
13	Sprocket Motor 10 Teeth	L1020-741	44	Screw MC ZP CSK SLT 5/16 x 1/2	FSCPL41	70	Spring Disc (Bissell)	L1020-762
14	Chain 3/8 35-1 72P Endless	L1025-725	45	Bottom Blade 400 Assy	L1440-450	71	Plate Drive	L1020-810
15	Chain Con Link 3/8	L1025-490	45	Bottom Blade Assy 500	L1540-450	72	Roll pin	L1020-739
16	Cable Clutch Assy	L1050-700	45	Bottom Blade Assy 660	L1640-450	73	Sprocket Clutch Reel 51T	L1020-732
17	Bracket - Cable Retainer W/A Ptd	L1020-785B	45	Bottom Blade Assy Golf	L1740-450	74	Sprocket Clutch 66 Teeth	L1020-800
18	Bracket Clutch Reel ZP	L1020-710Z	45	Bottom Blade Assy 660C	L1640-460			
19	Pin 6 x 45 Long ZP	L1020-770Z	46	Bolt HT ZP M8 x 20 setscrew grade 10.9	FBOPL02			
20	Nut Nyloc ZP M6	FNLPL06	47	Screw Taptite	L0108-039			
21	Spring	L1220-395	48	Carrier-Bottom Blade 400	L1440-390			
22	Washer flat ZP M6 x 16 x 1.2	FWAPL06	48	Carrier-Bottom Blade 500	L1540-390			
23	Lever Clutch Roller ZP	L1020-700Z	48	Carrier-Bottom Blade 660	L1640-390			
24	Nut ZP M8	FNUPL08	49	Catcher Stud	L1035-240			
25	Washer spring ZP M8	FWAPL58	50	Washer Flat ZP M8 x 19 x 1.6	FWAPL08			
26	Bracket Clutch Roller ZP	L1020-705Z	51	Nut Nyloc ZP Thin 5/16 UNF	L0111-041			
27	Plate Clutch Mount W/A	L1020-720	52	Reel Brg Housing Washer 5/16	L1035-202			
			53	Reel Adj Complete	L1035-290			